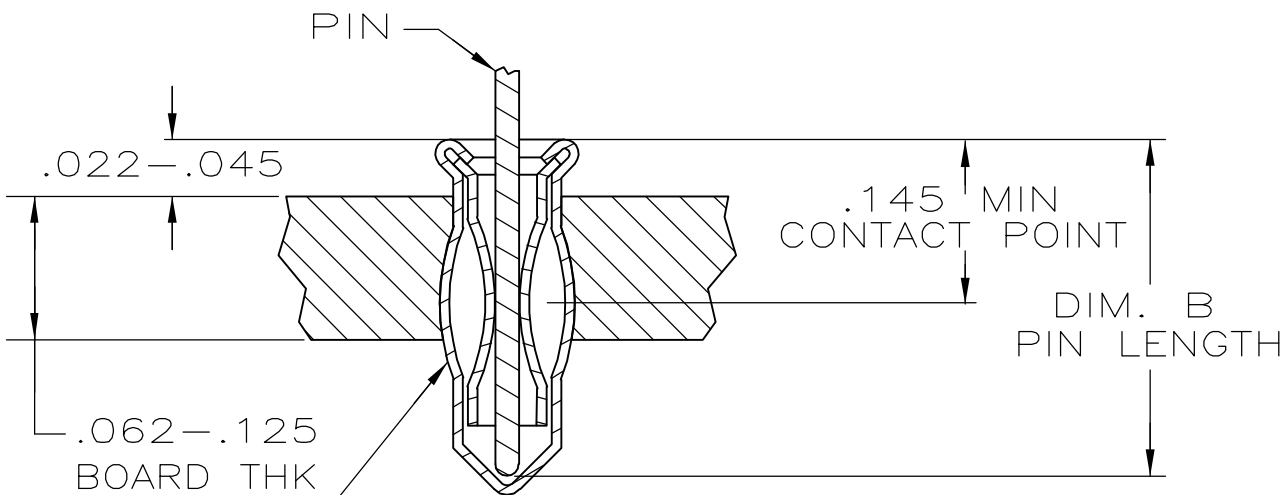
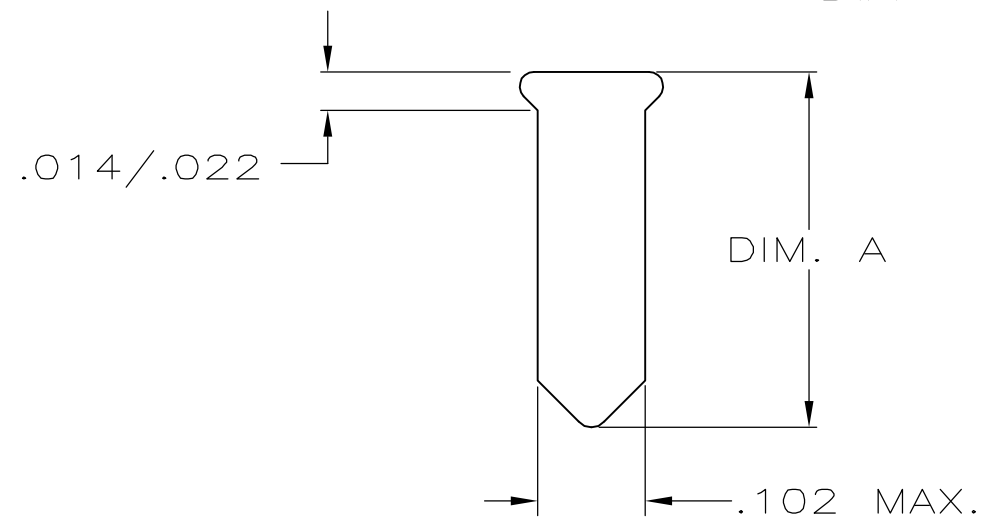
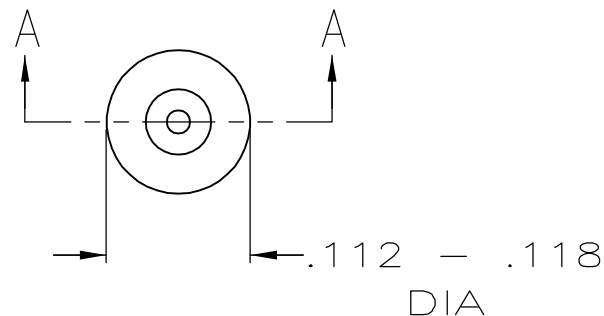


THIS DRAWING IS UNPUBLISHED. RELEASED FOR PUBLICATION
 © COPYRIGHT - BY TYCO ELECTRONICS CORPORATION. ALL RIGHTS RESERVED.

| | | | | | | | |
|-----|------|-----------|-----|---------------------------|---------|-----|------|
| LOC | DIST | REVISIONS | | | | | |
| AG | 53 | P | LTR | DESCRIPTION | DATE | DWN | APVD |
| | | | A | REVISED PER ECO-06-001742 | 31JAN06 | JDP | JGH |



MSS INSERTION MACHINE CAPABLE OF OVALIZING SOCKET FOR RETENTION IN PC BOARD WITH .104±.003 DIA HOLE PRIOR TO SOLDERING OPERATION

- MATERIAL:
EYELET: COPPER PER ASTM B 152
SPRING: BERYLLIUM COPPER PER ASTM B 194
- TIN PLATE PER ASTM B 545 .000100 MIN THICK.
- GOLD PLATE PER ASTM B 488 .000030 MIN THICK OVER NICKEL PLATE PER QQ-N-2900N CONTACT AREA.
- TO INSURE 1/2 OZ MIN RETENTION DO NOT EXCEED .004 DIFFERENCE IN PIN DIA WHEN CHANGING TO A SMALLER DIA PIN.
- HOLE SIZE FOR HAND INSERTION .105±.002.

| | | | | | |
|----------|-----------|----------------|-----------------|----------------|-----------|
| .275 MAX | .308±.008 | .042.649 | GOLD Δ 3 | TIN Δ 2 | 5645980-2 |
| | | | TIN Δ 2 | TIN Δ 2 | 5645980-1 |
| DIM. B | DIM. A | DIA Δ 4 | SPRING | EYELET | PART NO |
| PIN | | | FINISH | | |

| | | | | | |
|--|--|-------------------|-----------|----------------------------------|---------------|
| THIS DRAWING IS A CONTROLLED DOCUMENT. | | DWN | 19APR2005 | Tyco Electronics Corporation | |
| | | L. VARELA - DOCK5 | | Harrisburg, PA 17105-3608 | |
| DIMENSIONS: INCHES | | CHK | 19APR2005 | NAME | |
| TOLERANCES UNLESS OTHERWISE SPECIFIED: | | J. HAVENER | | MINIATURE SPRING SOCKET ASSEMBLY | |
| 0 PLC ± - | | J. HAVENER | 19APR2005 | PRODUCT SPEC | |
| 1 PLC ± - | | | | 108-14008 | |
| 2 PLC ± - | | | | APPLICATION SPEC | |
| 3 PLC ± - | | | | 114-13152 | |
| 4 PLC ± - | | | | SIZE | CAGE CODE |
| ANGLES ± - | | | | A3 | 00779 |
| MATERIAL NOTE 1 | | FINISH SEE TABLE | | DRAWING NO | RESTRICTED TO |
| | | | | C=5645980 | - |
| CUSTOMER DRAWING | | | SCALE | SHEET | REV |
| | | | NTS | 1 OF 1 | A |

SECTION A-A